

UNIQUE KITCHEN SIDEBOARD AND BREAKFAST BAR UNIT



Antique solid wood furniture piece restored and updated with a modern Granite top and breakfast bar attachment.

The Granite is all "New Giallo Veneziano". The sideboard was solid dark hardwood (most likely Ash Wood) that has been professionally restored by local restoration specialist Mr Johnny (Burghfield Common /from St. Abbots village) and has been given a distressed white paint finish.

This is a very stylish piece of furniture that would be a talking point in any home or in a commercial office setting.

There is room for 5 people to sit at the bar unit.

The sideboard has 4 drawers along top and cupboards with shelves inside.

This unit comes apart into 4 pieces:

- Sideboard (hardwood)
- Sideboard granite top (30mm granite)
- Breakfast bar top (30mm granite)
- Breakfast bar leg (granite).

Measurements:

- Sideboard Unit is 1800mm (Length) x 510mm (Width) x 870mm (High).
- Worktop for Sideboard Unit 1820mm long x 585mm (Width (inc brake front)) x 50mm (Thickness, with edge extension Ogee+ Half rounded Edge profile).
- Breakfast Bar is 1600mm (Length) x 750mm (Width) x 30mm (Thickness, with Ogee Edge profile).
- Breakfast bar leg (granite) is 205mm (Length) x 205mm (Width) x 1090mm (High) Including Base and additional support on top pieces (all in one).

Price was: £3200

Clearance Price Now: £2100

Delivery:


We can do FREE delivery in 20 mile radius of Reading and do Free assembly. We can quote for further distances or international – please ask.

PLEASE NOTE:

If you have a piece of old furniture you would like brought up to date in a similar fashion we can help with new stone tops (Granite, Marble or Glass) etc. Often this can be done cheaper than you would think using offcuts – we always have a large stock left from our kitchen projects.



Drawing/Sketch:



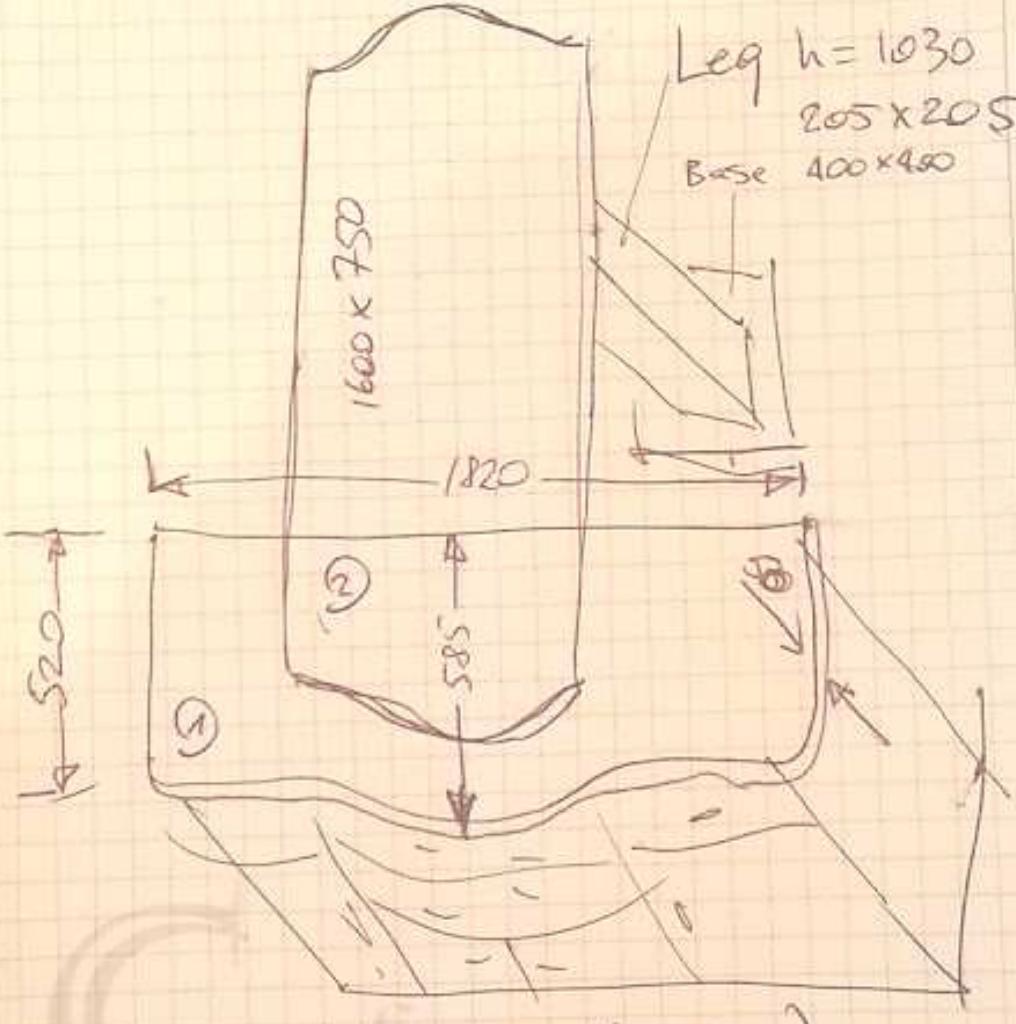
Craftsman

Classic Crafts
Kitchens & Furniture, Stone Worktops,
Sink & Taps, Stone Repairs and Restoration
Design, Manufacture, Supply and Fit

info@craftsmanltd.co.uk
www.craftsmanltd.co.uk

① $1820 \times 585 (520) \times h=50$

② $1600 \times 750 \times h=30$



Leg $h=1030$
 205×205
Base 400×400

1820

520

585

1600 x 750

①

②

Komoda = $1800 \times 510 \times 870 (+w-top)$

CRAFTSMAN LTD
Company No 5274817
VAT 873 046 833

Unit 8 Farm Sulhamstead Rd.
Burghfield Common Reading
Berkshire RG7 4ED UK

Phone: 01183215573
Mob.: 07748460049
Fax.: 02076813652